

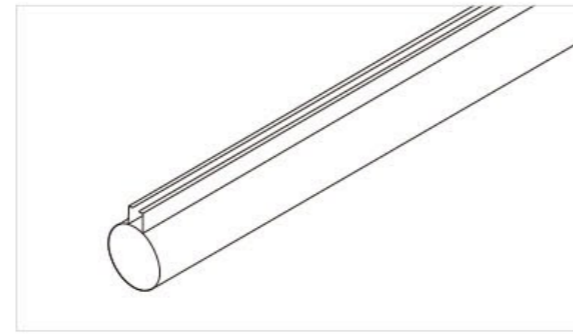
JMT-L2 O-PROFILE SYSTEM

型材圆管天花系统

产品介绍 INTRODUCTION

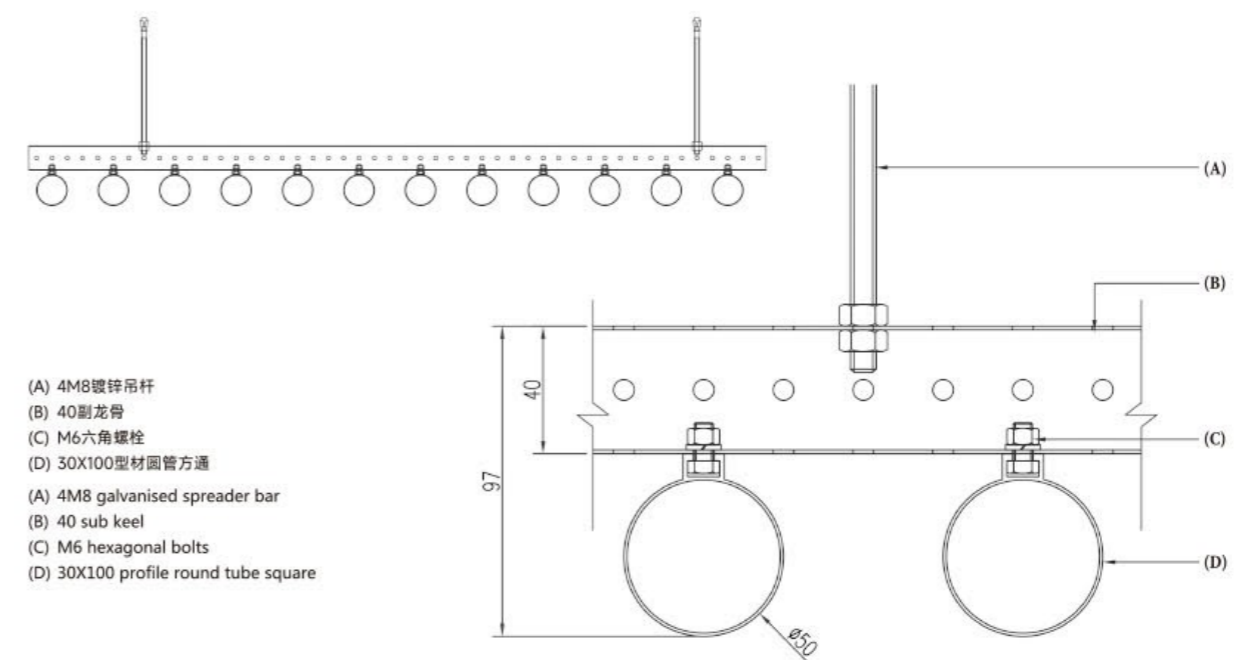
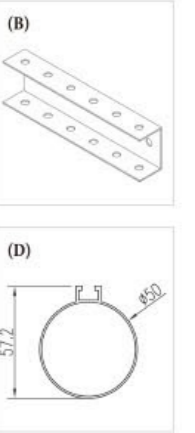
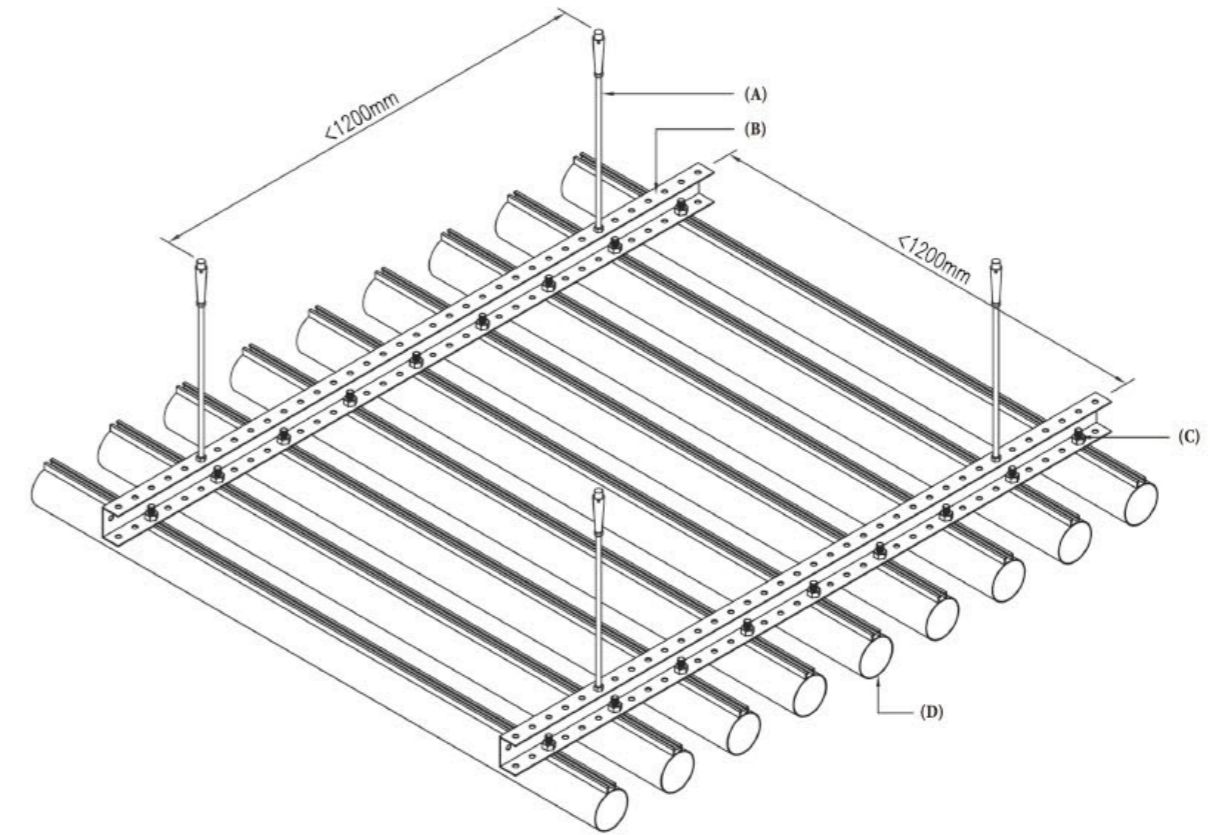
JAYMINTON o-profile system is extruded from a special aluminum material through an extruder die made. Its hardness and flatness are far superior to other ceiling materials. Metal aluminum material is not easy to deform and fade and can be used for a long time.

杰明顿O型材圆管天花系统是由特殊铝材通过挤压机模具挤压而成。其硬度和平整度远优于其它的吊顶材料。金属铝材料不易变形，不易褪色，可长期使用。



Changsha Subway / 长沙地铁

安装示意图 INSTALLATION DIAGRAM



- (A) 4M8镀锌吊杆
- (B) 40副龙骨
- (C) M6六角螺栓
- (D) 30X100型材圆管方通
- (A) 4M8 galvanised spreader bar
- (B) 40 sub keel
- (C) M6 hexagonal bolts
- (D) 30X100 profile round tube square

Section Drawing / 正面节点图