

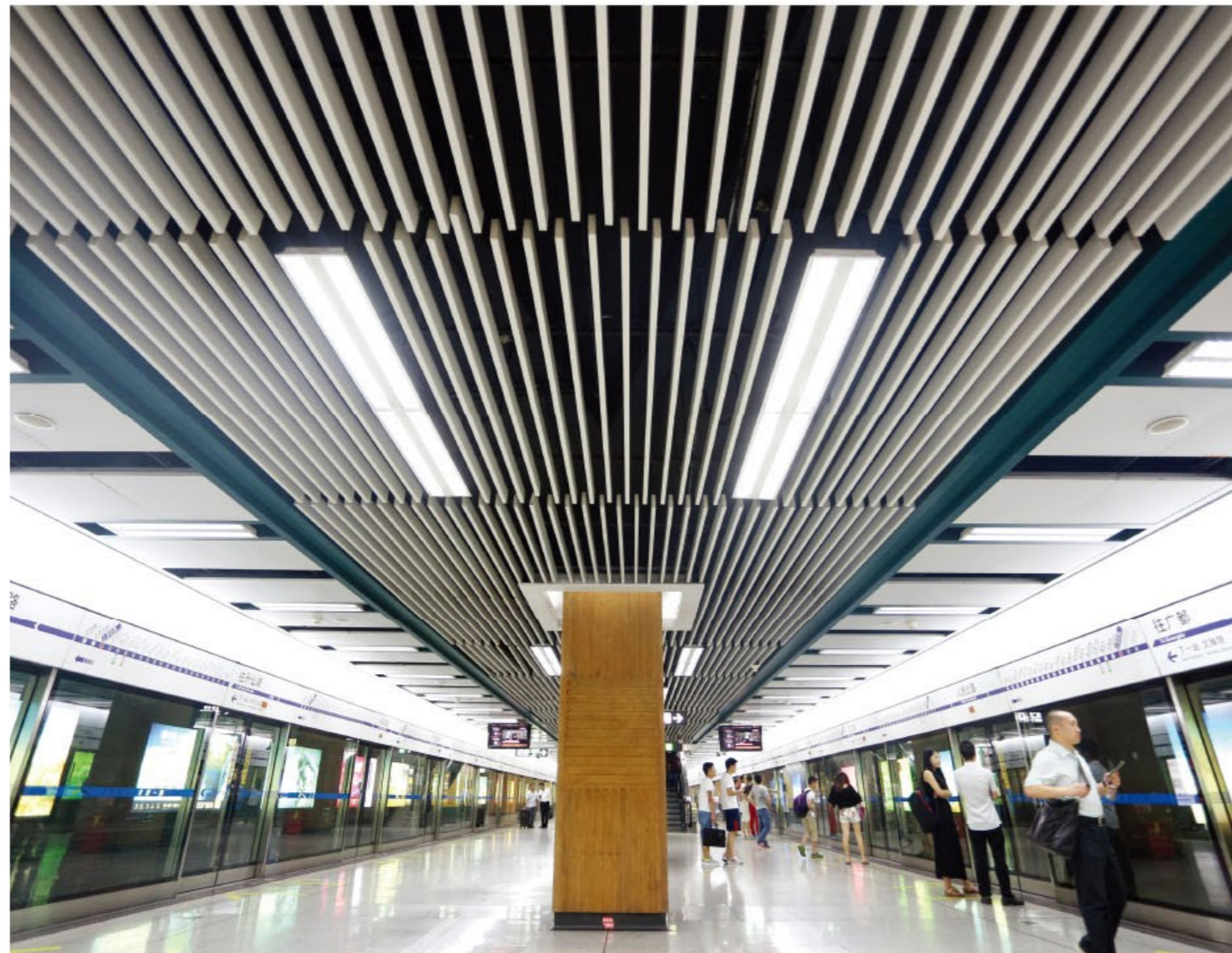
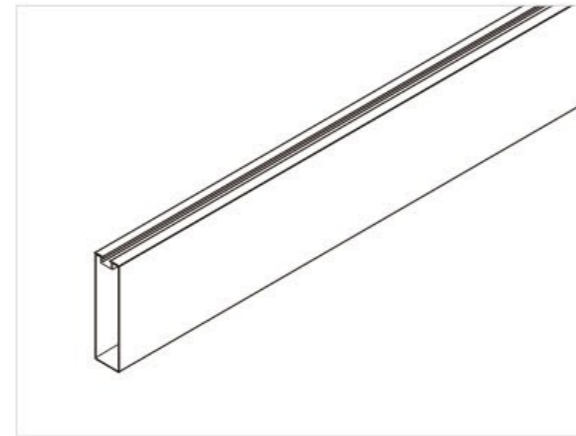
JMT-L3 EXTRUDED PROFILE SYSTEM

型材方通天花

产品介绍 INTRODUCTION

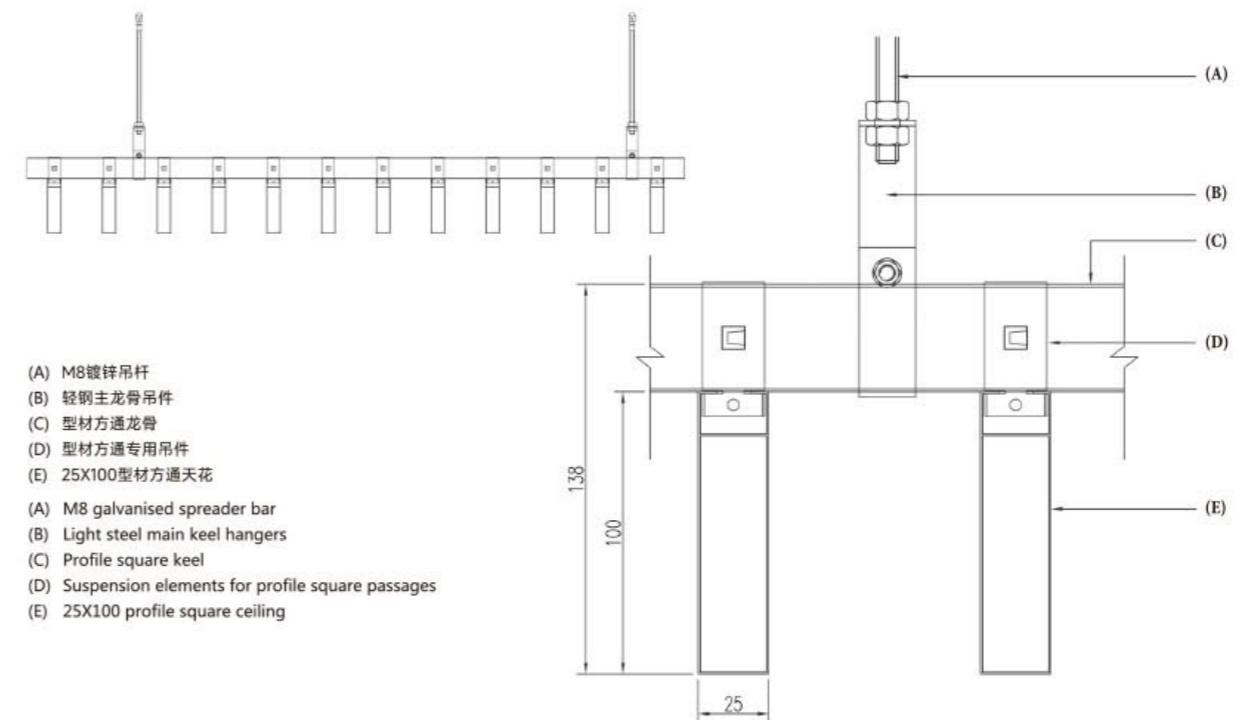
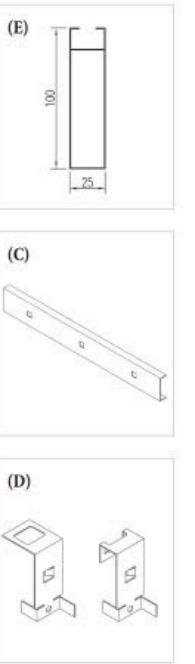
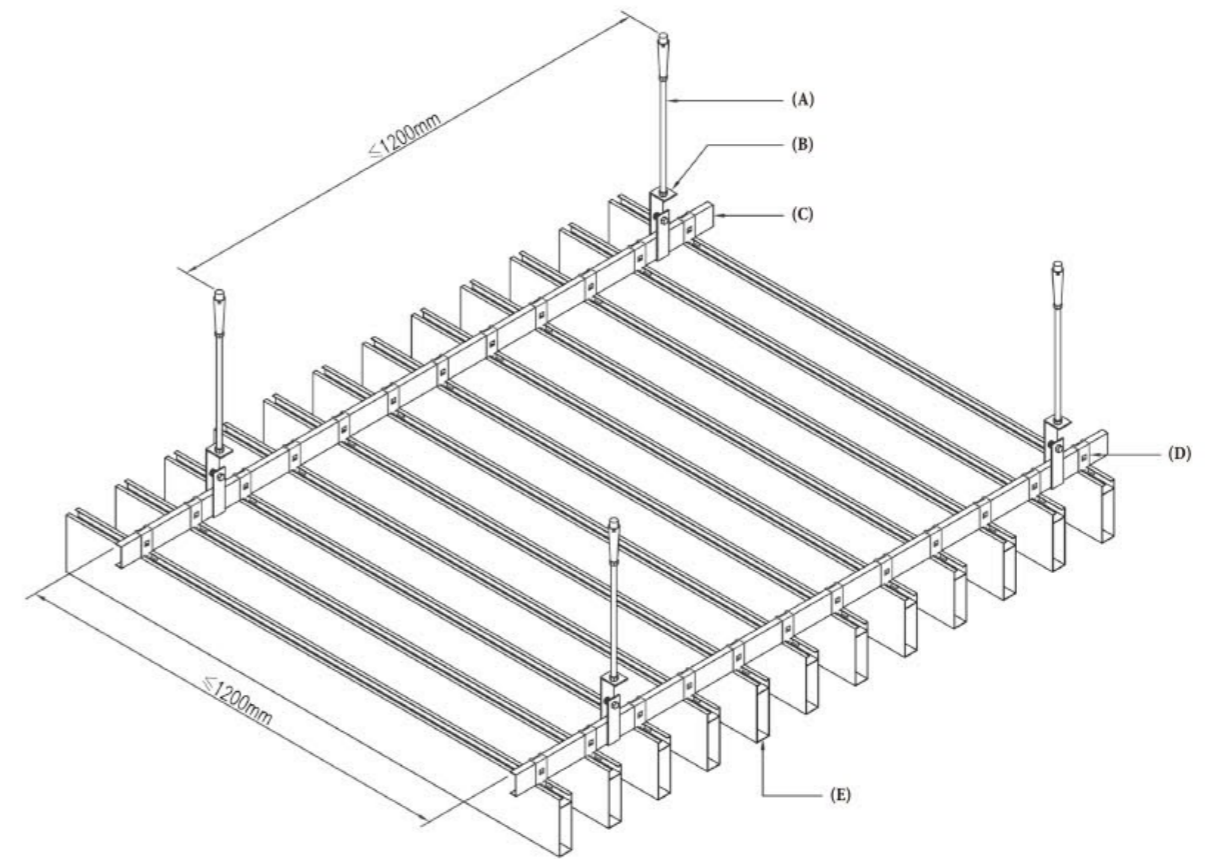
The JAYMINTON L3 extruded baffle is a manifestation of a baffle ceiling. Due to its special extrusion molding process, it has high hardness, long service life, and relatively low-cost as its features making it a popular product. With a flexible layout, color matching, and height adjustment, the formed ceiling can also be ever-changing, not as rigid as imagined.

杰明顿L3型材方通天花是挡板天花的一个表现形式。由于其特殊的挤压成型的工艺，方通硬度高，使用时间长和成本较优，顾为受大众欢迎的产品。随着灵活的布置，颜色的搭配以及高度的调节，所形成的吊顶也可以千变万化，并不是想像中那么死板的。



Chengdu Subway Line 1 / 成都地铁1号线

安装示意图 INSTALLATION DIAGRAM



- (A) M8镀锌吊杆
 - (B) 轻钢主龙骨吊件
 - (C) 型材方通龙骨
 - (D) 型材方通专用吊件
 - (E) 25X100型材方通天花
- (A) M8 galvanised spreader bar
 - (B) Light steel main keel hangers
 - (C) Profile square keel
 - (D) Suspension elements for profile square passages
 - (E) 25X100 profile square ceiling

Section Drawing / 正面节点图