

JAYMINTON METAL CEILINGS & CLADDINGS

Jayminton Metal Ceiling & Cladding

Address: The entrance of Xiachen Village, Silian
Village Committee, Lubao Town, Sanshui
District, Foshan City

E-mail: Marketing@jayminton.com

Website: www.jayminton.com

杰明顿金属天花幕墙

工厂地址: 佛山市三水区芦苞镇四联村委下陈村口

邮箱: Marketing@jayminton.com

网址: www.jayminton.com

JMT-S3.1 LAY-IN SYSTEM

跌级式明架天花系统

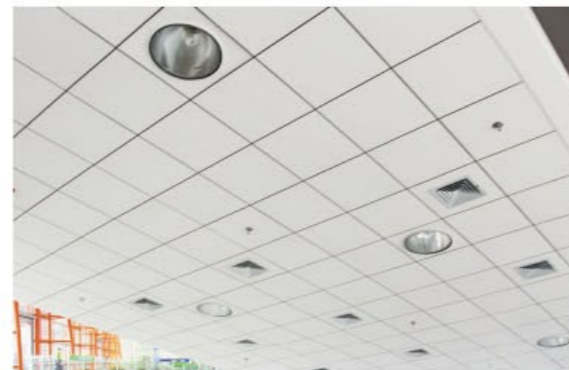
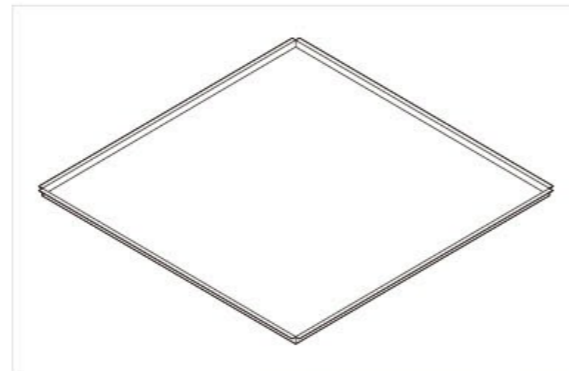
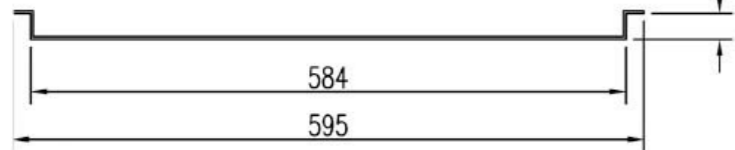
产品介绍 INTRODUCTION

The JAYMINTON metal lay-in ceiling tiles are design need to conveniently lay on classic T bars such as T15, T24, TU42, and TT15 grids. The Jayminton lay-in tiles are so served to function for acoustic and Thermal insulation with different backing materials.

杰明顿金属嵌入式天花板设计用于方便地放置在经典的 T 形条上，例如 T15、T24、TU42 和 TT15 网格。杰明顿嵌入式天花板可通过不同的背衬材料实现隔音和隔热功能。

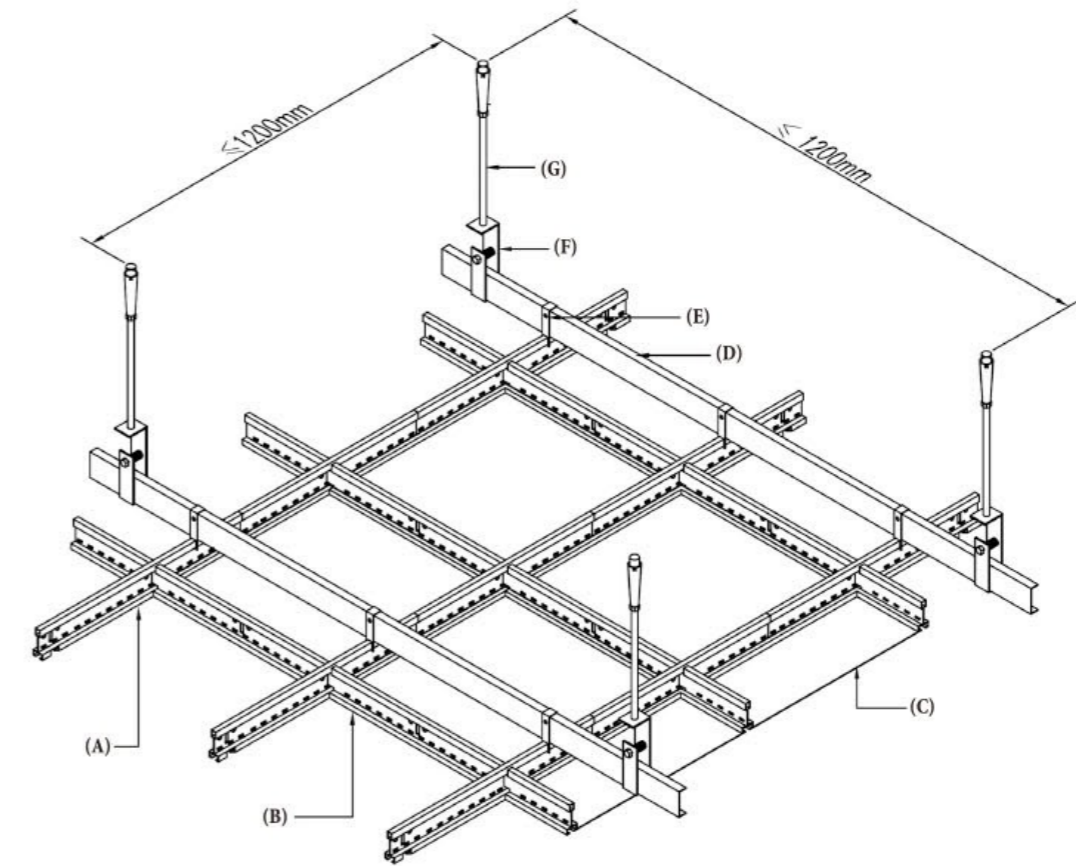
产品尺寸 DIMENSIONS

Panel size	面板尺寸
Length: ≤ 1200mm	长度: ≤ 1200mm
Width: ≤ 600mm	宽度: ≤ 600mm

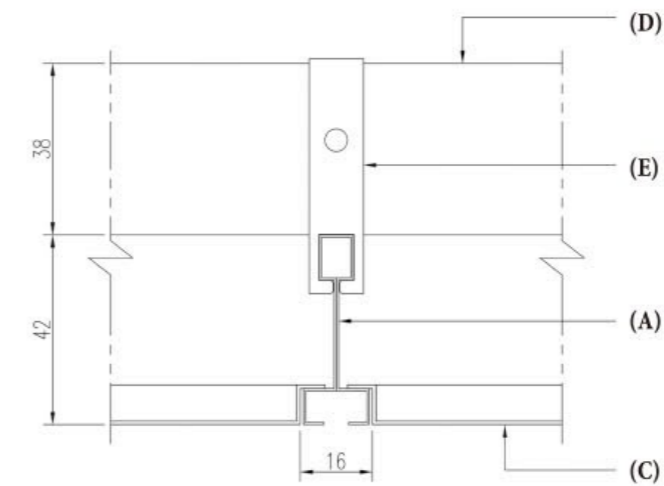
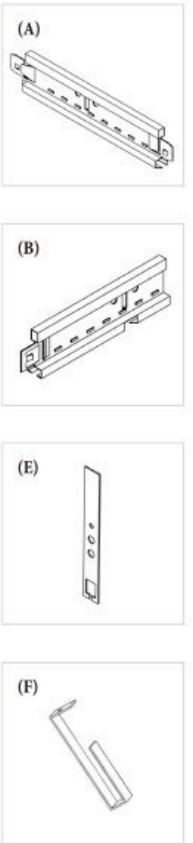


■ Foshan Shopping Centre / 佛山购物中心

安装示意图 INSTALLATION DIAGRAM



- | | |
|----------------------------|-------------|
| (A) 1st carrier | (A) 主龙骨 |
| (B) 2nd Carrier | (B) 副龙骨 |
| (C) 600X600 Lay-in | (C) 明架跌级板 |
| (D) 38 Main carrier | (D) 龙骨 |
| (E) 1st carrier hanger | (E) 主龙骨吊件 |
| (F) 38 Main carrier hanger | (F) 38 龙骨吊件 |
| (G) M8 Screw set | (G) M8吊杆 |



Section Drawing / 正面节点图