

# JAYMINTON METAL CEILINGS & CLADDINGS

## Jayminton Metal Ceiling & Cladding

**Address:** The entrance of Xiachen Village, Silian  
Village Committee, Lubao Town, Sanshui  
District, Foshan City

**E-mail:** [Marketing@jayminton.com](mailto:Marketing@jayminton.com)

**Website:** [www.jayminton.com](http://www.jayminton.com)

## 杰明顿金属天花幕墙

**工厂地址:** 佛山市三水区芦苞镇四联村委下陈村口

**邮箱:** [Marketing@jayminton.com](mailto:Marketing@jayminton.com)

**网址:** [www.jayminton.com](http://www.jayminton.com)



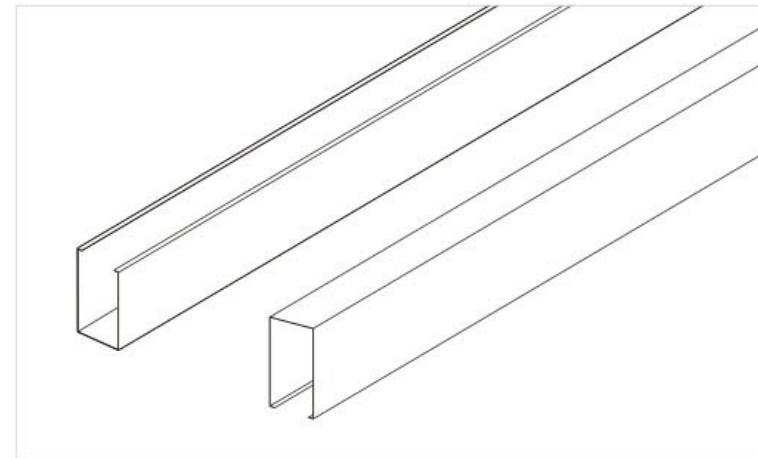
# JMT-L4.1 U-BAFFLE SYSTEM

## U型方通天花系统

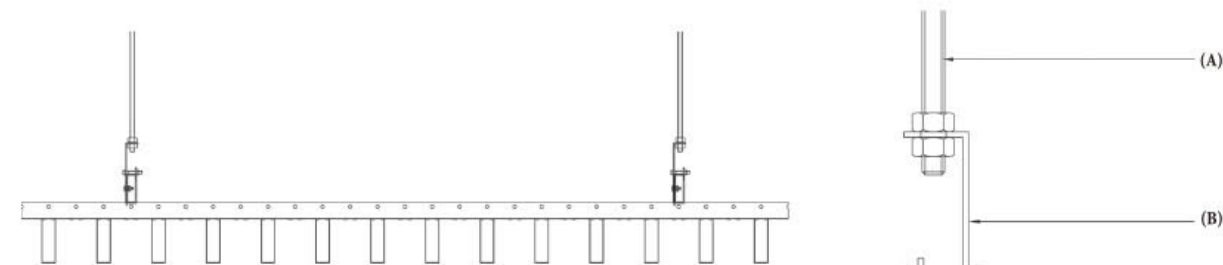
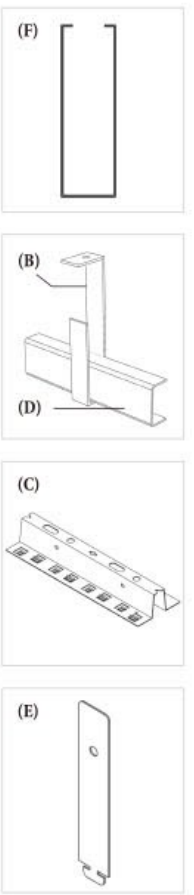
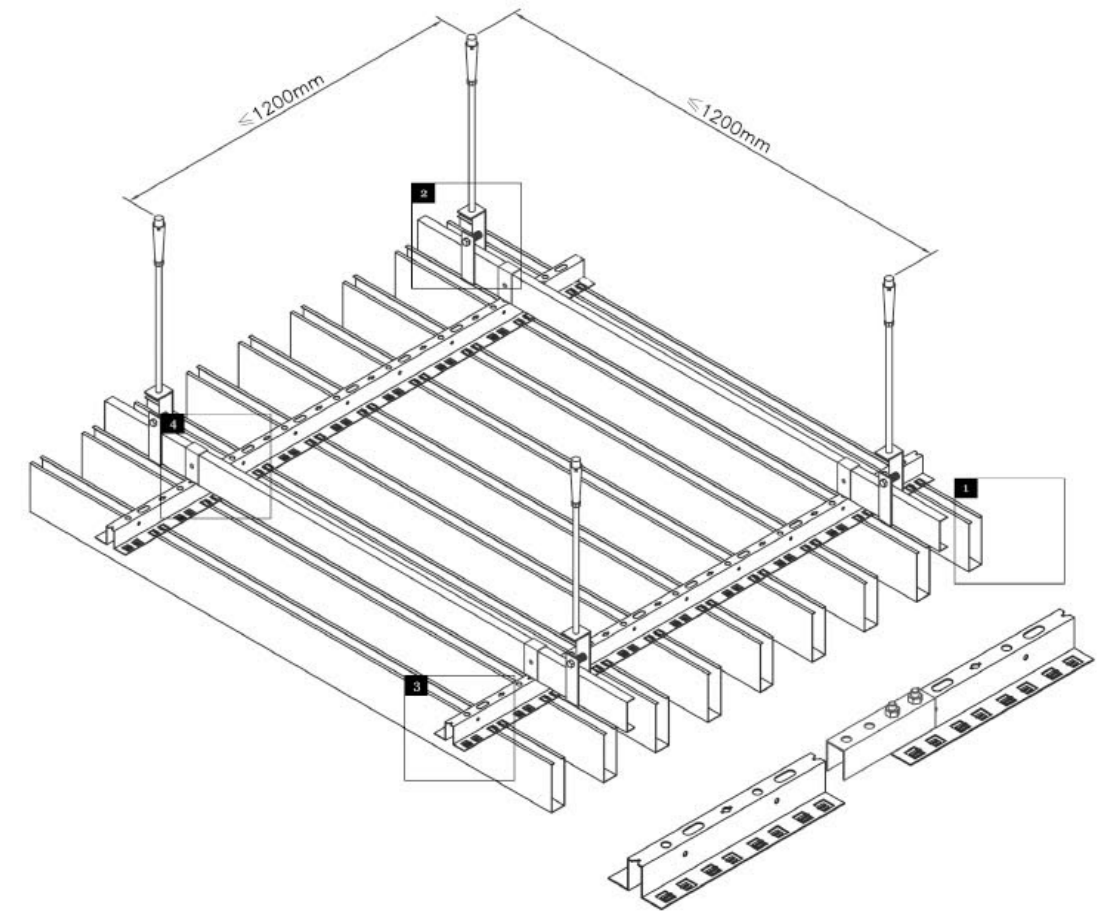
### 产品介绍 INTRODUCTION

The JAYMINTON U-baffle ceiling system is a decorative canopy ceiling. It has a very broad application scene, it can be used at home, it can be also used as the ceiling of the airport lobby or the ceiling of large office buildings, etc. The permeability design facilitates future repair and maintenance, and also facilitates air circulation and heat dissipation. The width of the U-shaped groove can be customized according to the application requirements of the scene.

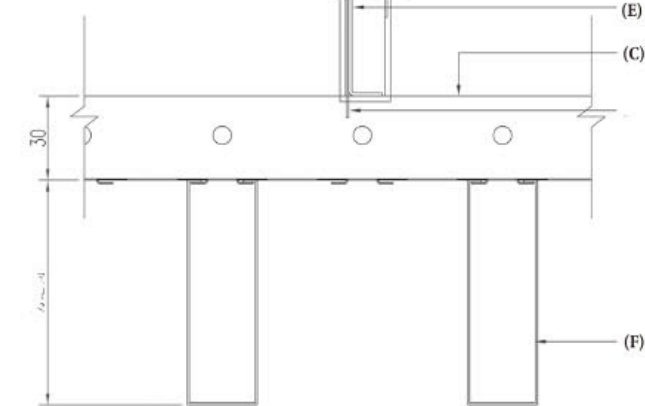
杰明顿U型方通天花系统是一种装饰性天幕性吊顶。它有非常广阔的应用场景，既可以用于家里，也可以用作机场大厅吊顶、大型办公楼的吊顶等。通透性的设计，方便了日后的修理和维护，还便于空气的流通和散热。U型槽的宽度可根据场景应用需求而定制。



### 安装示意图 INSTALLATION DIAGRAM



- (A) M8镀锌吊杆
  - (B) 轻钢主龙骨吊件
  - (C) 型材方通龙骨
  - (D) 38轻钢主龙骨
  - (E) 条扣吊件
  - (F) 型材方通天花
- (A) M8 galvanised spreader bars
  - (B) Light steel main keel hangers
  - (C) Profile square keel
  - (D) 38 light steel main keel
  - (E) Bar fasteners
  - (F) Profile square ceiling



Section Drawing / 正面节点图



■ Hefei Yaohai District Culture Hall / 合肥市瑶海区文化馆