

JAYMINTON METAL CEILINGS & CLADDINGS

Jayminton Metal Ceiling & Cladding

Address: The entrance of Xiachen Village, Silian
Village Committee, Lubao Town, Sanshui
District, Foshan City

E-mail: Marketing@jayminton.com

Website: www.jayminton.com

杰明顿金属天花幕墙

工厂地址: 佛山市三水区芦苞镇四联村委下陈村口

邮箱: Marketing@jayminton.com

网址: www.jayminton.com

JMT-P3 H-PLANK STRIP SYSTEM

H型条扣天花

产品介绍 INTRODUCTION

The JAYMINTON H-plank strip ceiling is one of the most commonly used strip ceilings. It is a right-angle structure and can process flat or punched holes. Designers can mix and install slats of different colors or widths according to the design requirements, so that there are more changes in the design to achieve a more perfect effect.

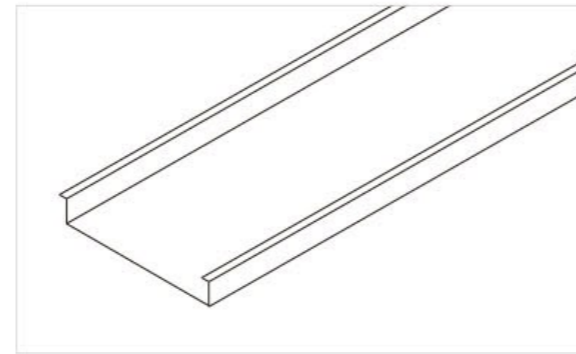
杰明顿H型条扣天花是属于常用的条扣天花之一。它是直角的结构，可加工平板或冲孔。设计者可按照设计的需求用不同颜色或宽度的板条配搭混合安装使用，使得设计上有更多的变化，以打到更完美的效果。

常用规格 DIMENSIONS

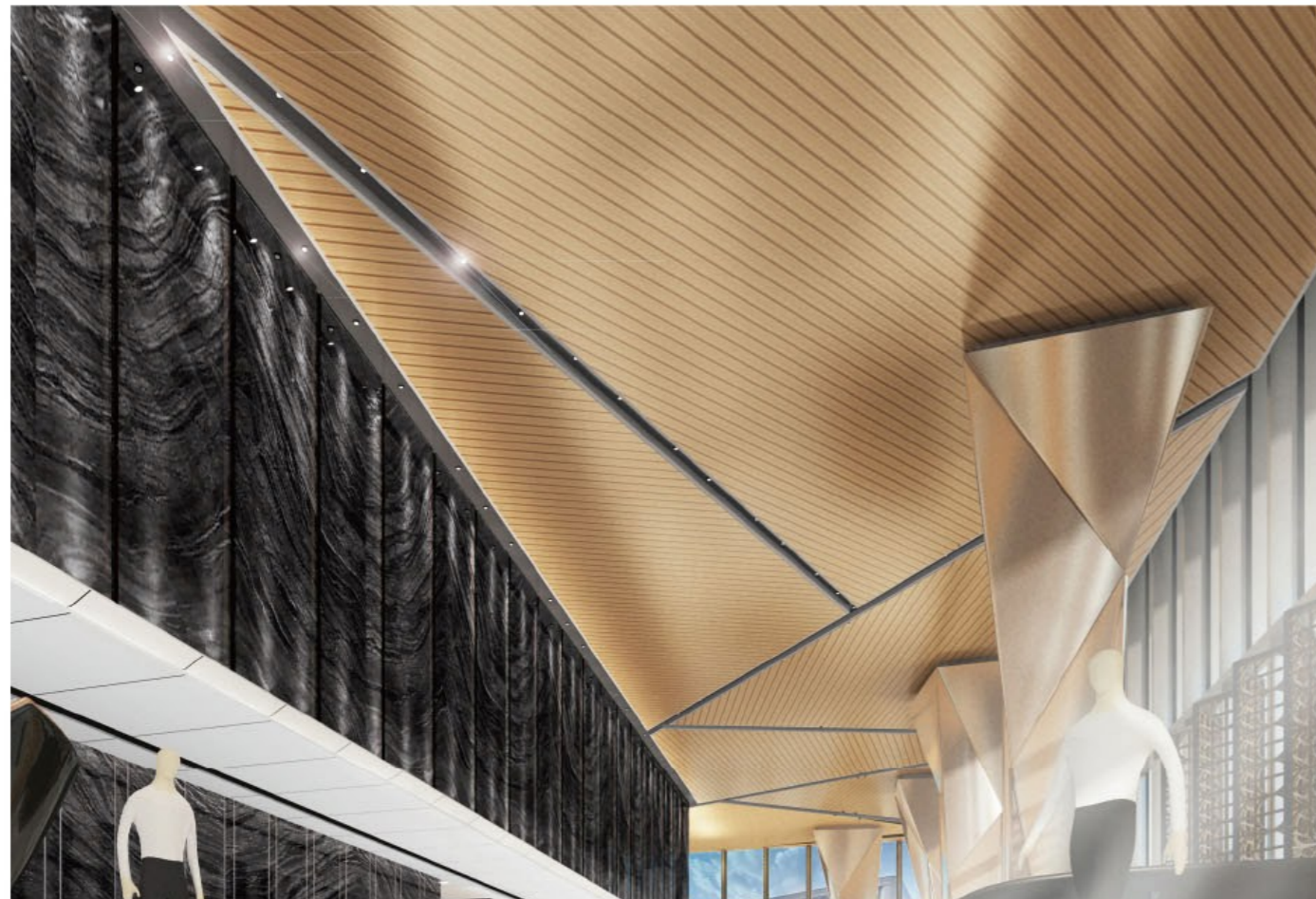
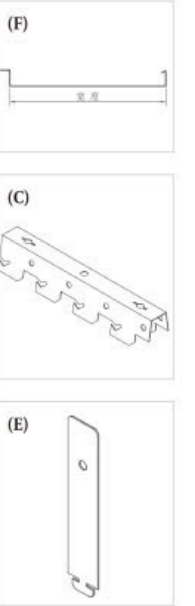
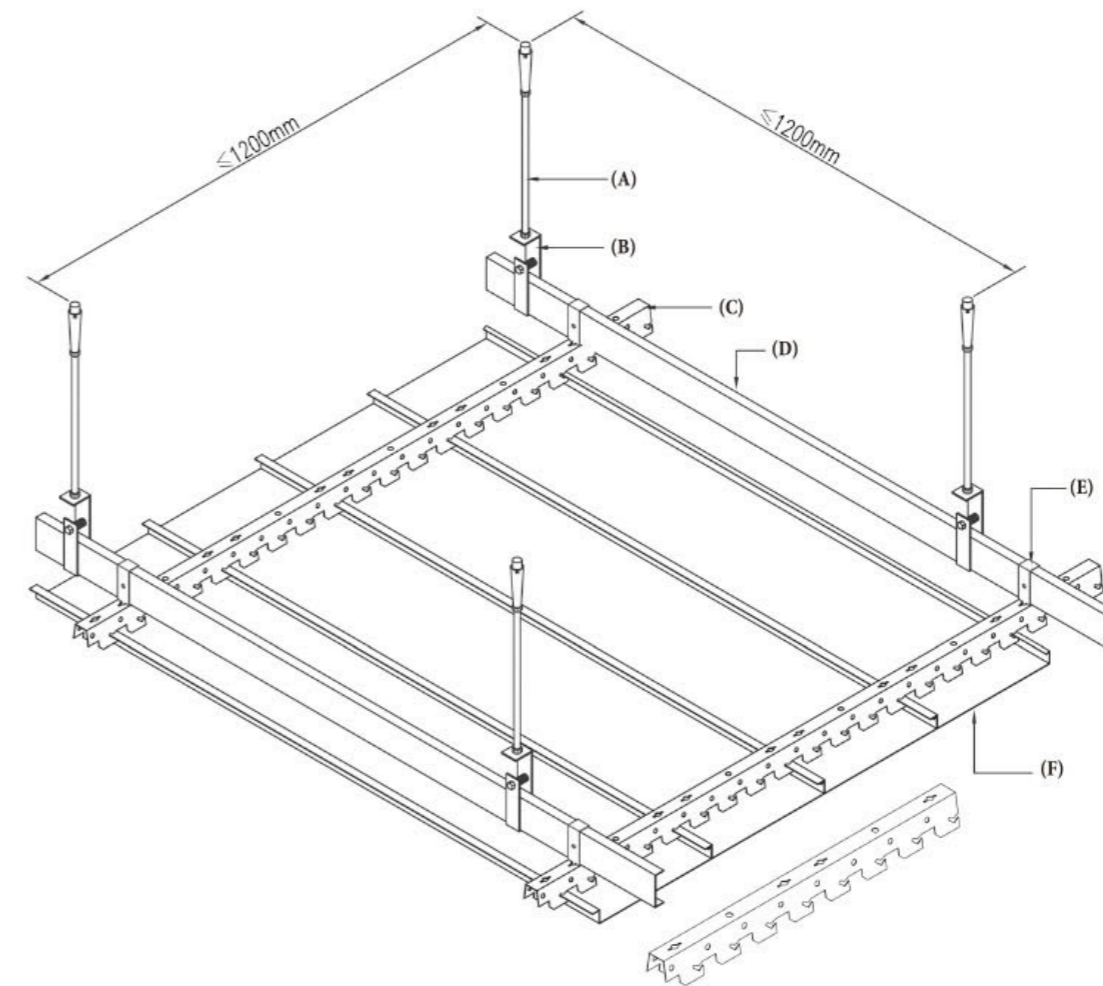
Width / 宽度 : 150mm、200mm、300mm

Remark: Non-standard sizes can be customized

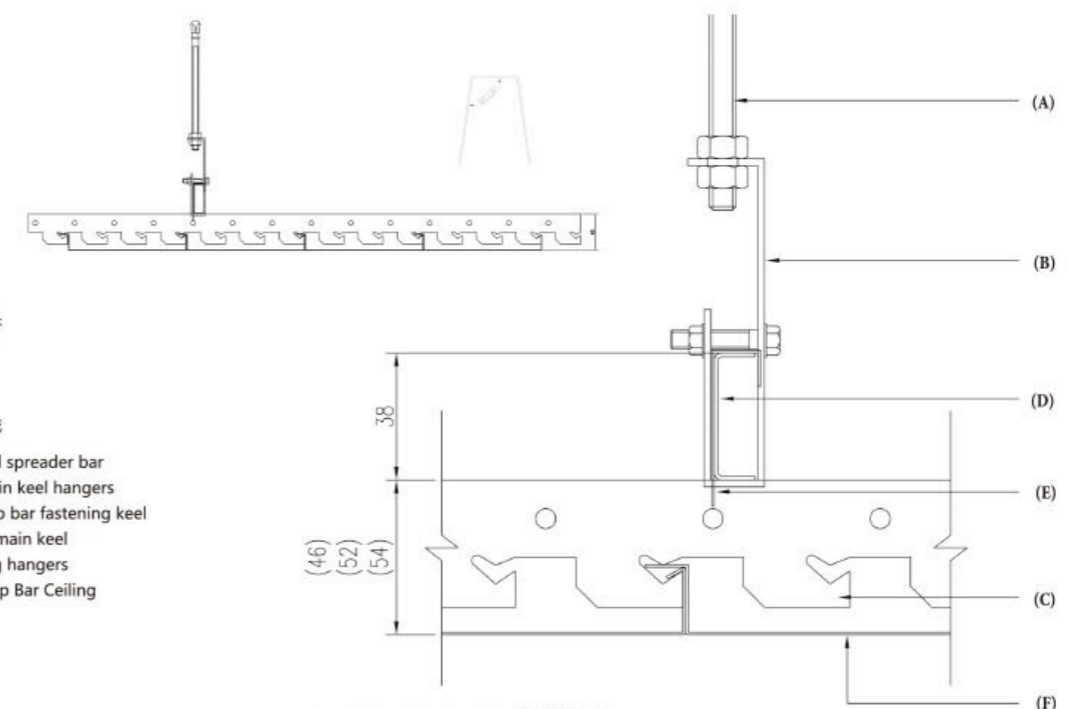
备注：可定制非常规尺寸



安装示意图 INSTALLATION DIAGRAM



■ Zhuhai Hengqin Nanguang Building / 珠海横琴南光大厦



- (A) M8镀锌吊杆
- (B) 轻钢主龙骨吊件
- (C) 勾搭条扣龙骨
- (D) 38轻钢主龙骨
- (E) 条扣吊件
- (F) 勾搭式条扣天花
- (A) M8 galvanised spreader bar
- (B) Light steel main keel hangers
- (C) Hook and loop bar fastening keel
- (D) 38 light steel main keel
- (E) Strip fastening hangers
- (F) Hook and Loop Bar Ceiling

Section Drawing / 正面节点图