

JAYMINTON METAL CEILINGS & CLADDINGS

Jayminton Metal Ceiling & Cladding

Address: The entrance of Xiachen Village, Silian
Village Committee, Lubao Town, Sanshui
District, Foshan City

E-mail: Marketing@jayminton.com

Website: www.jayminton.com

杰明顿金属天花幕墙

工厂地址: 佛山市三水区芦苞镇四联村委下陈村口

邮箱: Marketing@jayminton.com

网址: www.jayminton.com

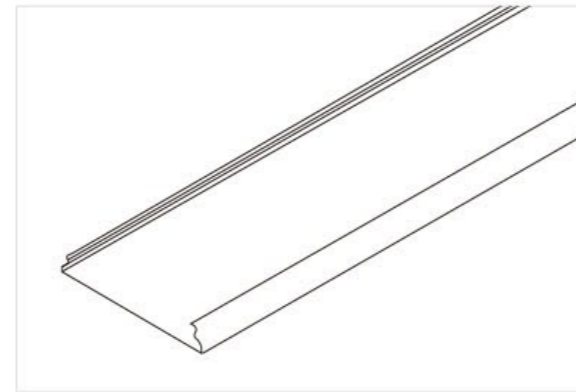
JMT-P4.1 R-PLANK STRIP SYSTEM

R型条扣天花

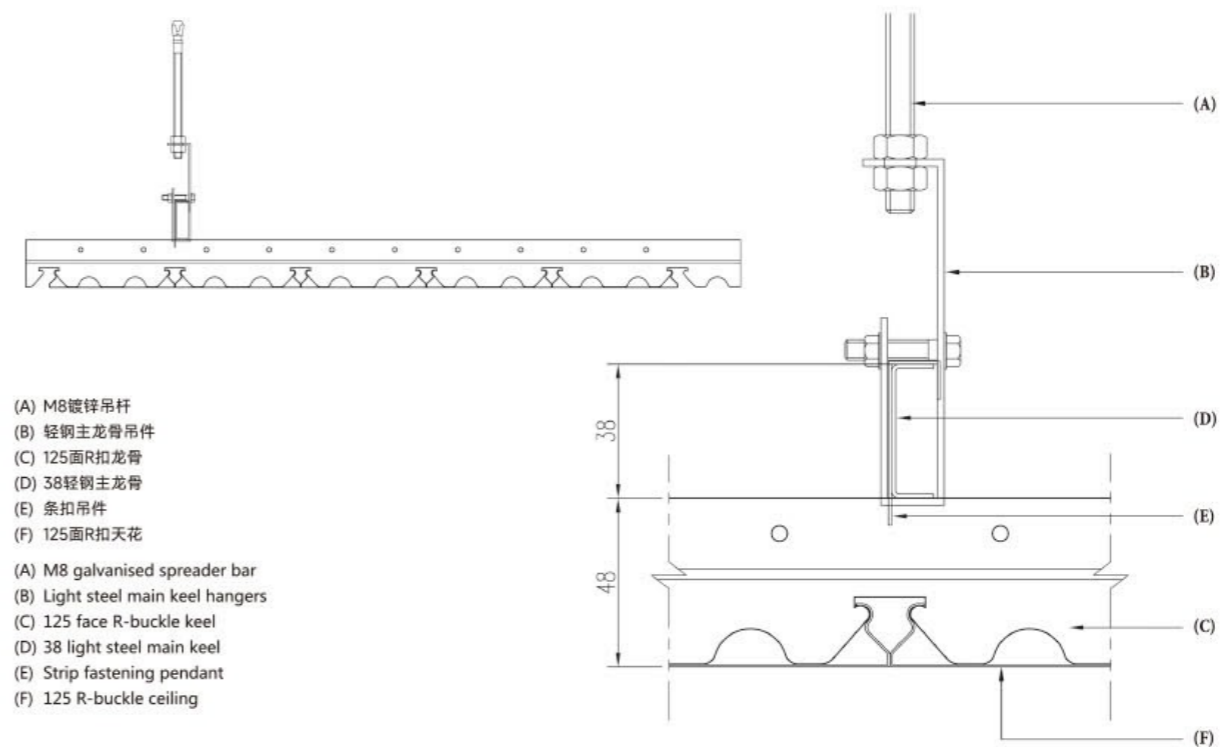
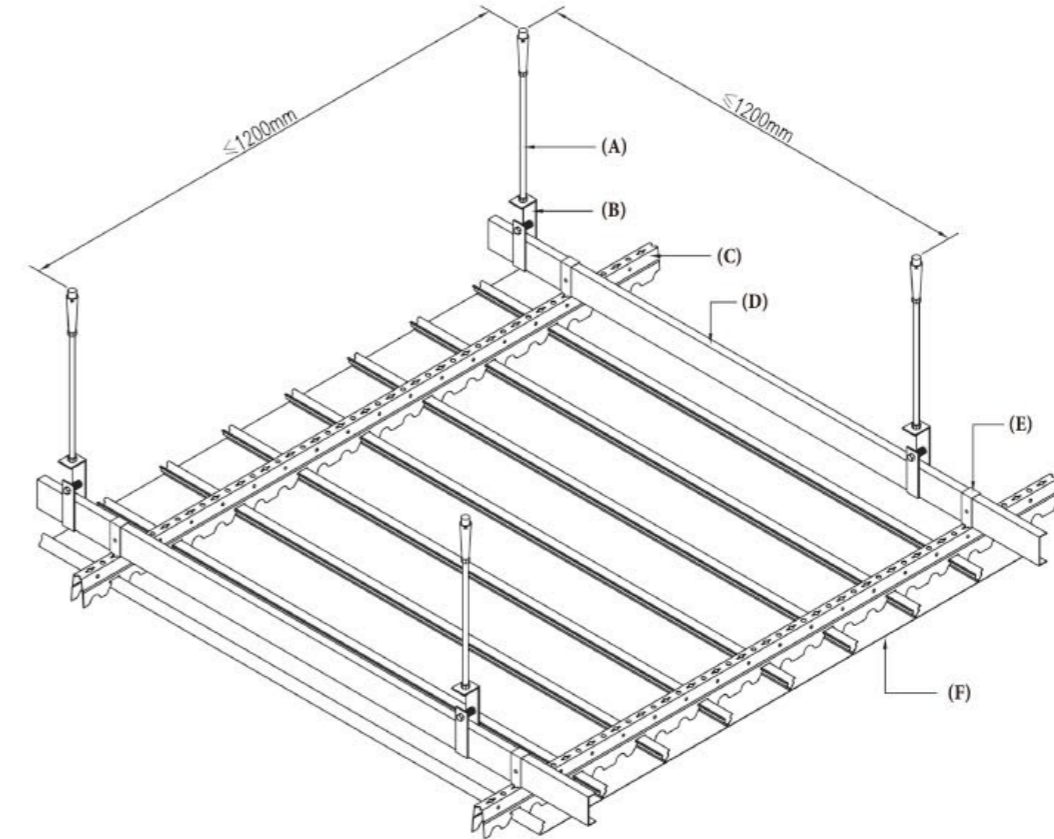
产品介绍 INTRODUCTION

The JAYMINTON R-plank strip ceiling system is hydraulically formed by rollers, with clear lines and excellent scratch resistance. Compared with the P4.2 strip ceiling, the main difference is the installation accessories system. Most architectural designers use this system to adjust the height of the space and can be used to hide the exposed wires on the ceiling.

杰明顿R型条扣天花吊顶系统，R型条扣采用滚轮液压成型，线条清晰，防刮花性能卓越。与P4.2条扣天花对比，主要是安装配件系统的区别。为密封性天花系统，建筑设计师常用于调整空间的高度以及可用于隐藏裸露在吊顶的电线等，从而美化空间。



安装示意图 INSTALLATION DIAGRAM



- (A) M8镀锌吊杆
 - (B) 轻钢主龙骨吊件
 - (C) 125面R扣龙骨
 - (D) 38轻钢主龙骨
 - (E) 条扣吊件
 - (F) 125面R扣天花
- (A) M8 galvanised spreader bar
 - (B) Light steel main keel hangers
 - (C) 125 face R-buckle keel
 - (D) 38 light steel main keel
 - (E) Strip fastening pendant
 - (F) 125 R-buckle ceiling

Section Drawing / 正面节点图



Guangzhou Hospital Corridor / 广州医院走廊